

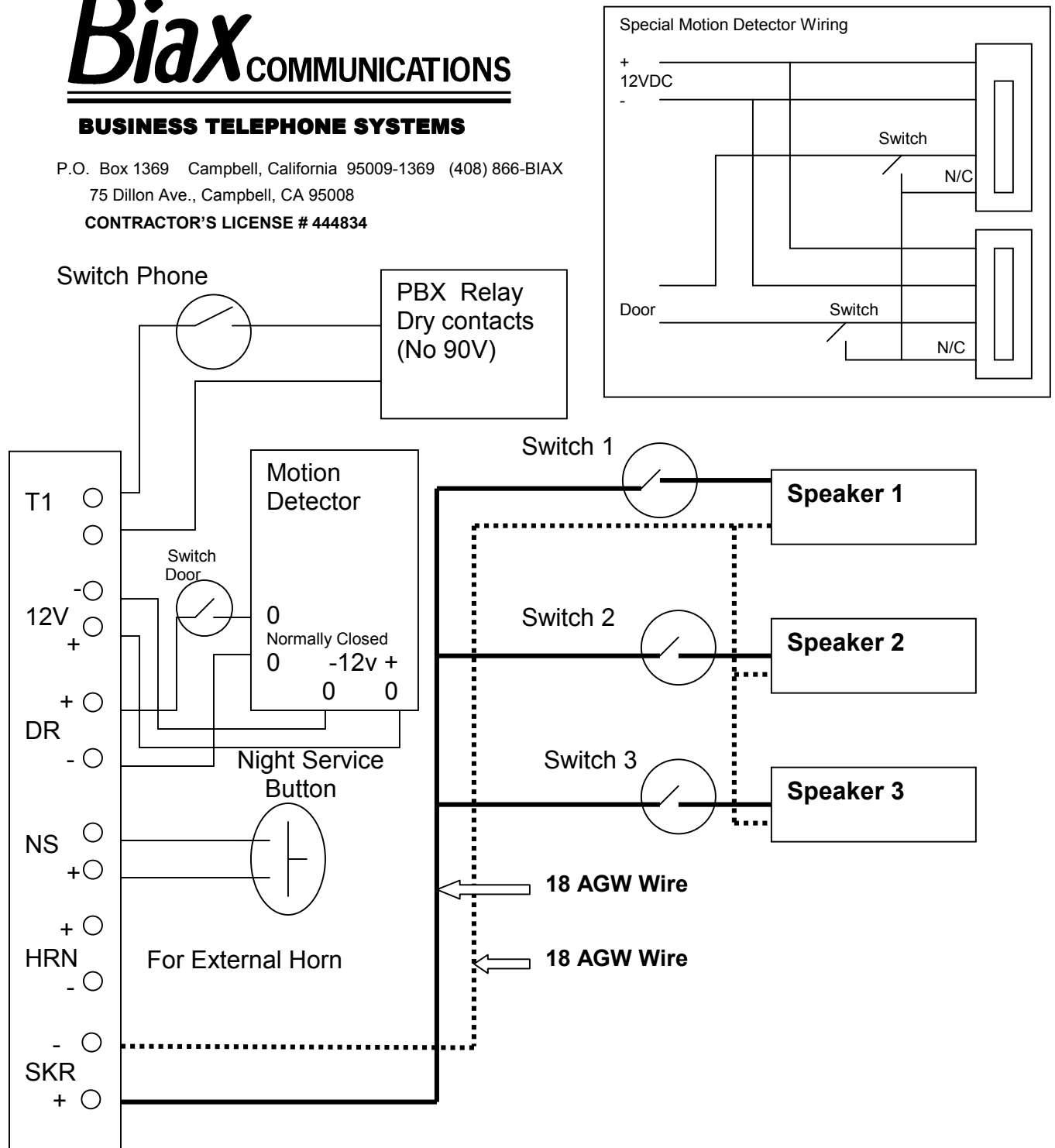
BiaX COMMUNICATIONS

BUSINESS TELEPHONE SYSTEMS

P.O. Box 1369 Campbell, California 95009-1369 (408) 866-BIAX

75 Dillon Ave., Campbell, CA 95008

CONTRACTOR'S LICENSE # 444834



Wiring Diagram for BIAX Tone Ringer 123.

- 1) T1 input requires Normally Open Dry Contacts (No external voltage required)
- 2) NS (Night Service) Requires Normally Open Contacts
- 3) **Caution:** The 12Volt supply provided is to power the Motion Detector. Do not short these terminal. Internal Fuse will be damaged.
- 4) Use 24AGW for all wires. Use 18 AGW for speaker Wires (or 2x24AGW)
- 5) Install The Tone Ringer in the telephone room.
- 6) Install the control Switches at the front desk